

serbatoi sanitari

MICRON



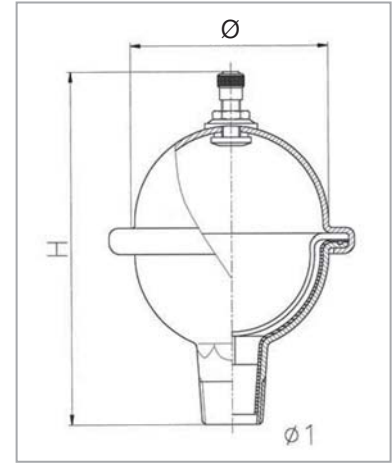
PPRE

P_{MAX}



: -10°÷+99°C

MICRON	12A0000	0,16	3,5	10	+99°C	88	121	1/2"	270 X 270 X 180 (8 pcs)
--------	---------	------	-----	----	-------	----	-----	------	-------------------------



SANY



P_{PRE}

P_{MAX}



: -10°÷+99°C

Mod	Cod	PPRE	P _{MAX}	Temperature	Ø	H	Ø1
SANY-S 0,5	A250L03	0,5	3	+99°C	90	170	3/4" GAS
SANY-S 1	A250L05	1	3	+99°C	90	240	3/4" GAS
SANY-S 2	A250L07	2	3	+99°C	90	380	3/4" GAS
SANY-S 3	A250L09	3	3	+99°C	90	530	3/4" GAS
SANY-S 4	A250L10	4	3	+99°C	90	670	3/4" GAS
SANY-L 3	A260L09	3	3	+99°C	120	300	1/2" GAS
SANY-L 6	A260L12	6	3	+99°C	120	500	1/2" GAS

