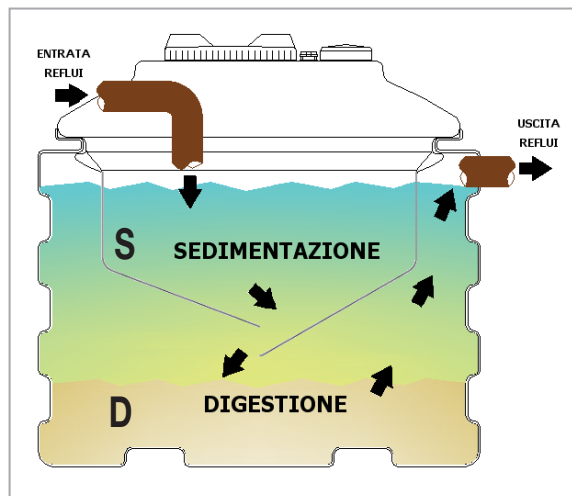


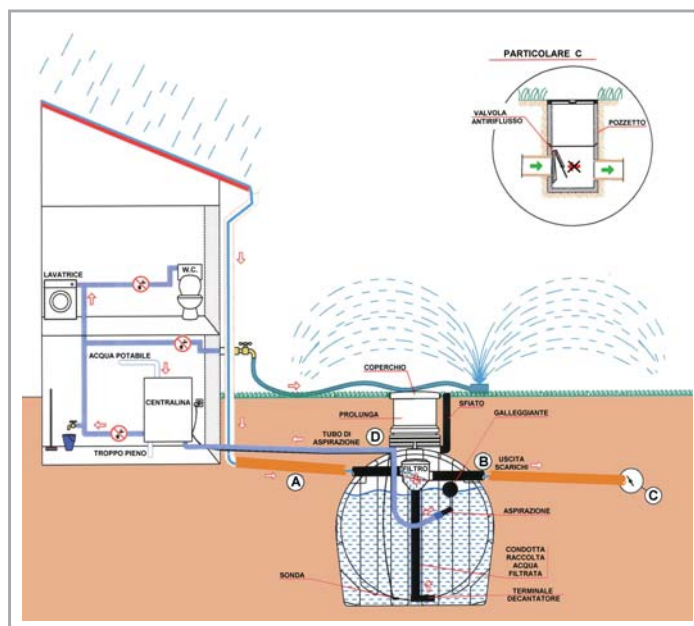
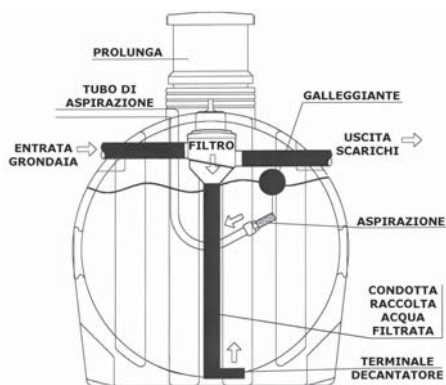
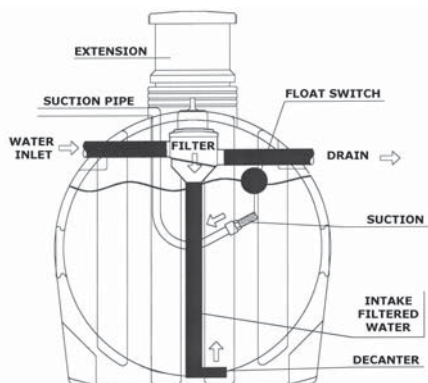
# IMHOFF

Mod	Cod	h	Ø	S	D	h <sub>1</sub>	Ø1	Ø2
IMHOFF-08	A5N0068	1440	1470	300	1200	60	100	
IMHOFF-16	A5N0076	1770	1870	660	2000	125	160	



## RAIN SYSTEM

Mod	Cod	Description
RAIN BASIC CU 3.000-B	A520074 V0000	PRE-FITTED TANK*
RAIN BASIC CU 5.000-B	A520080 V0000	PRE-FITTED TANK*
RAIN BASIC CU 10.000-B	A520092 V0000	PRE-FITTED TANK*
RAIN PLUS CU 3.000-S	A520074 V1000	PRE-FITTED TANK* + CONTROL UNIT MOD. S
RAIN PLUS CU 3.000-F	A520074 V2000	PRE-FITTED TANK* + CONTROL UNIT MOD. F
RAIN PLUS CU 5.000-S	A520080 V1000	PRE-FITTED TANK* + CONTROL UNIT MOD. S
RAIN PLUS CU 5.000-F	A520080 V2000	PRE-FITTED TANK* + CONTROL UNIT MOD. F
RAIN PLUS CU 10.000-S	A520092 V1000	PRE-FITTED TANK* + CONTROL UNIT MOD. S
RAIN PLUS CU 10.000-F	A520092 V2000	PRE-FITTED TANK* + CONTROL UNIT MOD. F



\* Dotazione standard: Prolunga; filtro; tubo di aspirazione con galleggiante; terminale decantatore; predisposizioni per allacciamenti idraulici.

\* Standard equipment: Extension; filter; suction pipe with float switch; bottom decanter pipe; connection fitting options for inlet/outlet.

\* Dotation standard: Rallonge; filtre; tuyau d'aspiration avec flotteur; décanter; prédisposition au laçages.

\* Standard Ausrüstung: Verlängerung; Filter; schwimmende Entnahme; beruhiger Zulauf; Filter Anschluß Set.